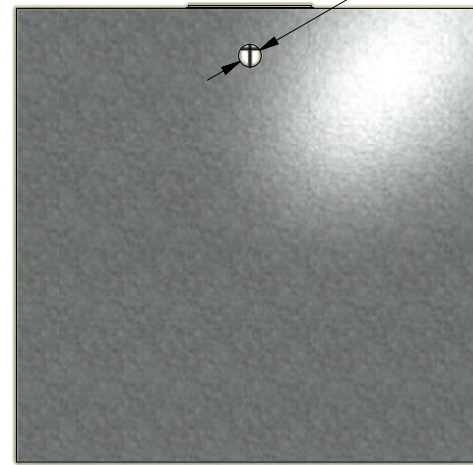
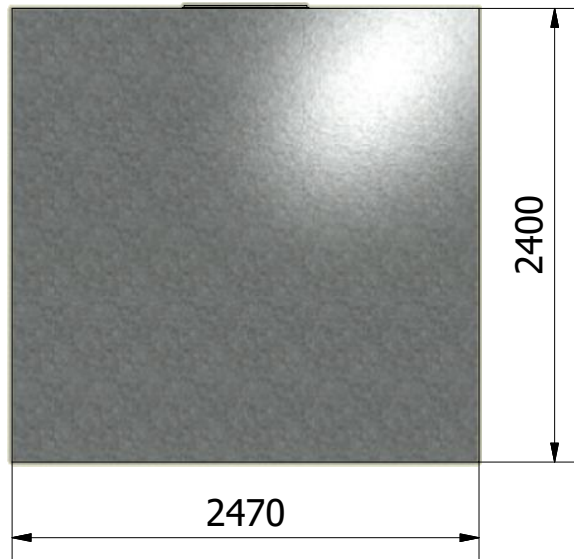
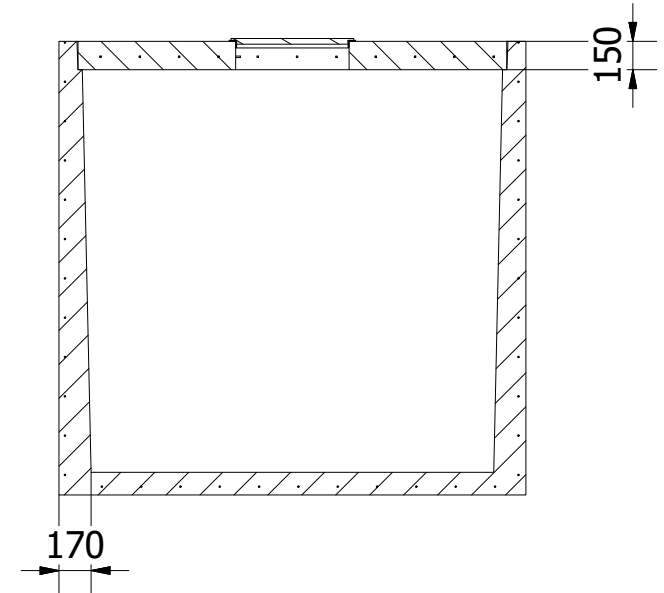
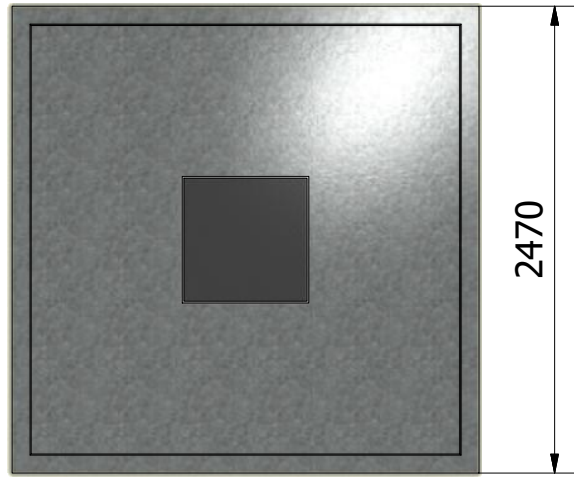


PARTS LIST		
ITEM	QTY	PART NUMBER
1	1	Tank1
2	1	lid1
3	1	tank mesh 1
4	1	lid mesh1
5	1	manhole frame
6	1	manhole cover

Drawn by M Engelbrecht	Date 2018/05/10	Part Number water tank1.2	Material	Treatment	Scale N.T.S.
SECTION 8 DESIGNS Section8.ct@gmail.com		Description Water conservation and septic tanks	Revision 2		Size
			2018/05/10	Sheet 1 / 2	

This drawing is property of section 8 and may not be used or executed without the written consent of section 8 designs



Drawn by M Engelbrecht	Date 2018/05/10	Part Number water tank1.2	Material	Treatment	Scale N.T.S.
SECTION 8 DESIGNS Section8.ct@gmail.com		Description Water conservation and septic tanks	Revision 2 2018/05/10		Size Sheet 2 / 2

This drawing is property of section 8 and may not be used or executed without the written consent of section 8 designs