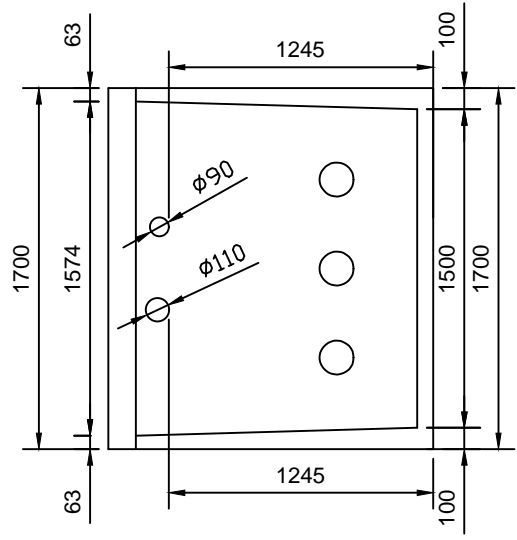
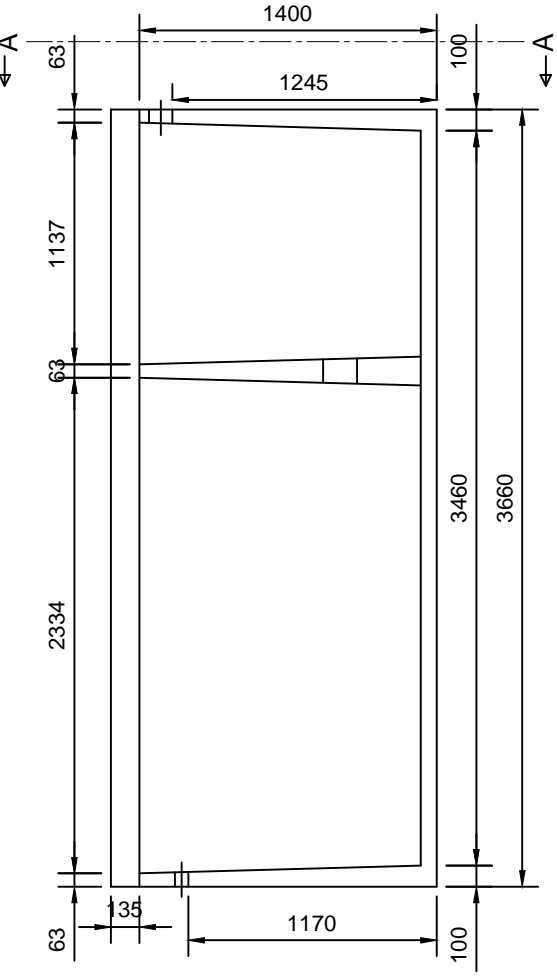


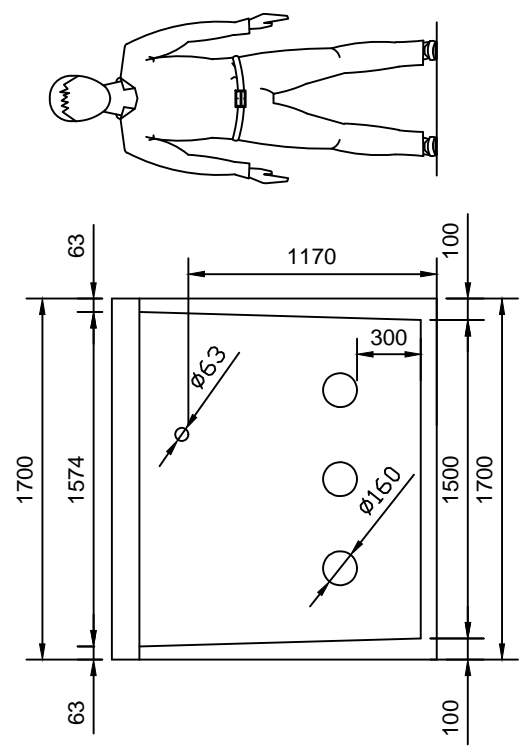
PLAN VIEW



SMALL BORE
SIDE SECTION A-A



SMALL BORE
SIDE SECTION X-X



SMALL BORE
SIDE SECTION Y-Y

- NOTES :
1. CONCRETE STRENGTH = 40 MPa MIN COVER = 30mm
 2. SEPTIC TANKS CAST WITH 13MM DOLOMITIC STONE
 3. HEAVY DUTY TOP SLAB ON REQUEST
 4. ADDITIONAL INLET / OUTLET HOLES ON REQUEST
 5. ADDITIONAL MANHOLE OPENINGS ON REQUEST

IKAPA TANKS - SMALL BORE TANKS					
REV.	DRAWING NO.	SCALE	NAME	DATE	
0	IKAPA - NO 11	NTS	REINARD	2022 -10 - 12	DRAWN
			DOUGIE	2022 -10 - 12	CHECKED